

These graphic representations are intended for preliminary design purposes only and are not to be used for construction without the signature of a registered professional engineer.

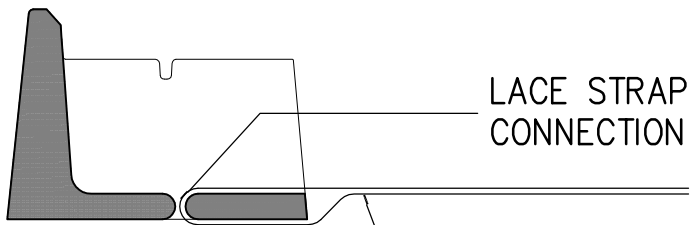
FURBISH
 3430 2nd Street, Suite 100
 Baltimore, MD 21225
 443.874.7465
 www.furbishco.com



Project Name

Scale:
 NTS
 Date:
 1/29/2016

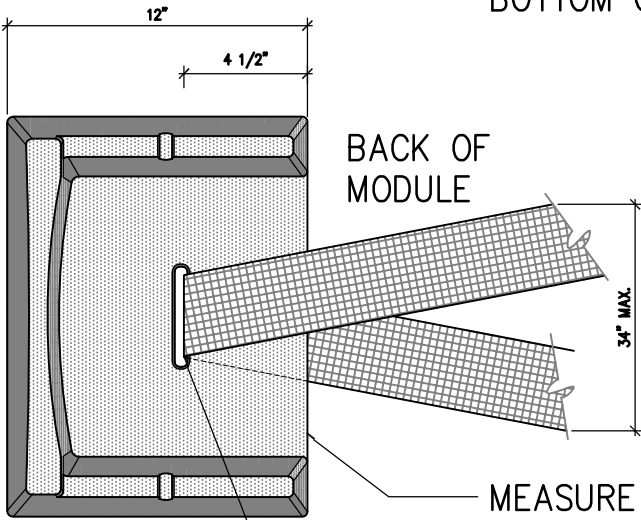
C110 Module Configuration



LACE STRAP THROUGH CONNECTION SLOT.

SECTION

LAY STRAP ACROSS COMPACTED GRANULAR COLUMN AND COMPACTED BACKFILL, SET TO AN ELEVATION APPROX. 1 INCH HIGHER THAN THE BOTTOM OF MODULE.



FACE OF MODULE

BACK OF MODULE

TERMINAL ENDS OF STRAP (FARTHEST ENDS FROM FACE OF WALL) SHALL BE NO FARTHER THAN 34" BETWEEN OUTSIDE EDGES.

PLAN

MEASURE DESIGN LENGTH OF STRAP FROM BACK OF MODULE. ALLOW 1 LINEAR FOOT OF STRAP BEYOND DESIGN LENGTH TO ACCOUNT FOR LENGTH OF STRAP LACED THROUGH CONNECTION SLOT.

CONNECTION SLOT FOR STRAP

These graphic representations are intended for preliminary design purposes only and are not to be used for construction without the signature of a registered professional engineer.

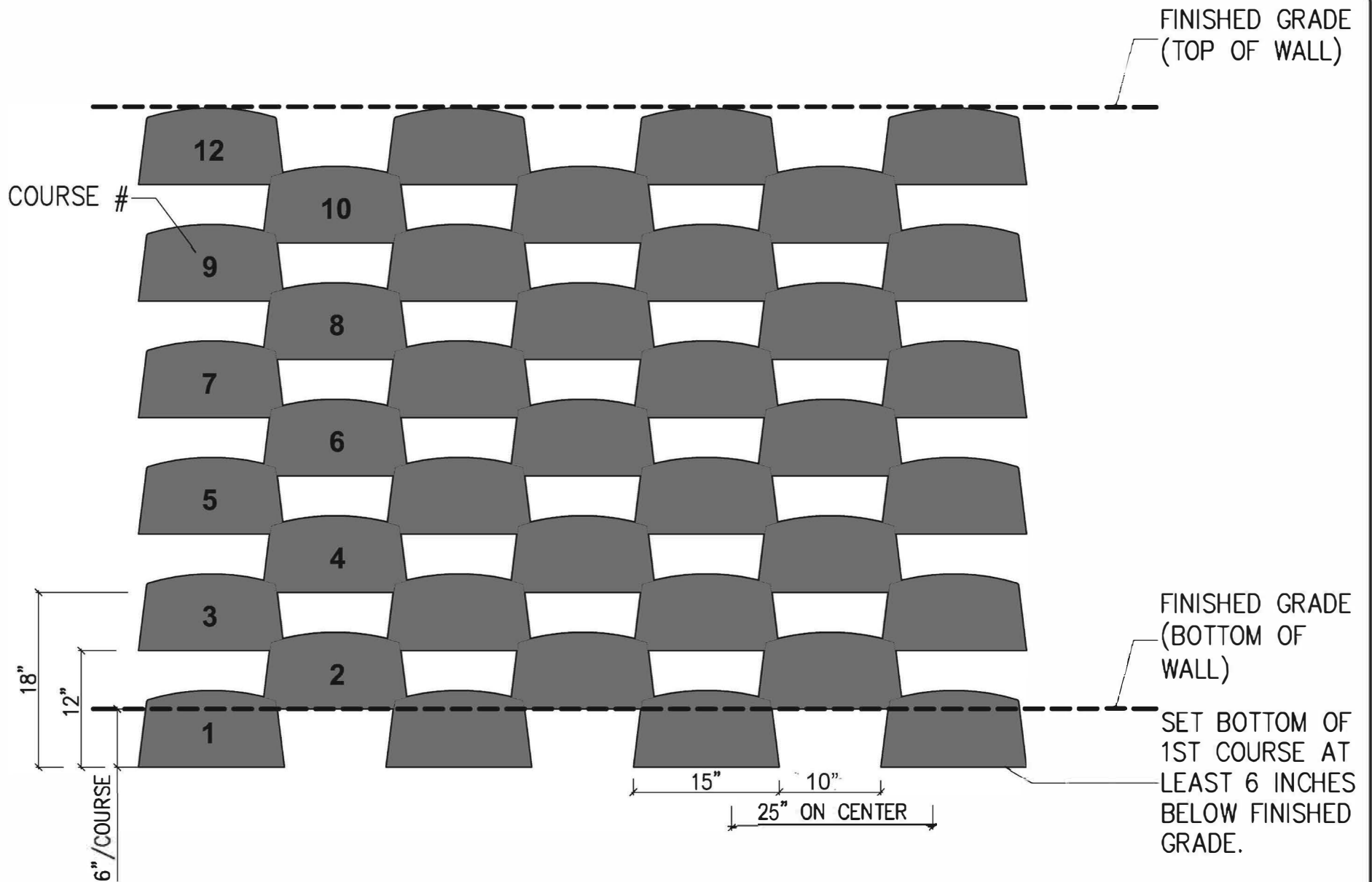
FURBISH
 3430 2nd Street, Suite 100
 Baltimore, MD 21225
 443.874.7465
 www.furbishco.com



Project Name

Scale:
 NTS
 Date:
 1/29/2016

**Strap Connection Detail
 C110 Module**



These graphic representations are intended for preliminary design purposes only and are not to be used for construction without the signature of a registered professional engineer.

FURBISH
 3430 2nd Street, Suite 100
 Baltimore, MD 21225
 443.874.7465
 www.furbishco.com



**Project
 Name**

Scale:
 NTS

Date:
 1/29/2016

**Typical Wall Elevation
 C110 Module**